

# Service Manual

**ORDER NO.  
ARP-244-0**

**SPEAKER SYSTEM**

# S-510 /E, CA, G

# S-510L,R /XC

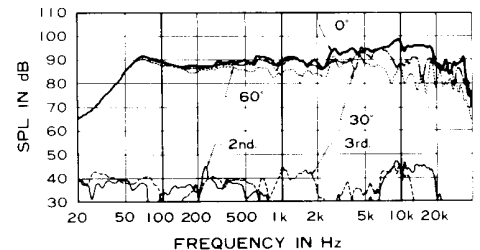
## SPECIFICATIONS

- Enclosure ..... Book-shelf style, Bass-reflex type
- System ..... 3-way 3-speaker system
- Loudspeakers:
  - Woofers ..... 25 cm (10 in) P.G. cone type
  - Mid-range ..... 4.5 cm (1-3/4) P.G. cone type
  - Tweeter ..... Horn-loaded Ribbon type
- Nominal Impedance ..... 6.3 ohms
- Frequency Range ..... 35 Hz to 50,000 Hz
- Sensitivity ..... 91 dB/W at 1 m distance
- Maximum Music Power ..... 120 W
- Rated Power ..... 40 W
- Crossover Frequency ..... 2,000 Hz, 13,000 Hz
- External Dimensions ..... 325(W) × 570(H) × 313(D) mm  
 12-13/16(W) × 22-7/16(H) × 12-5/16(D) in
- Weight ..... 12 kg/26 lb 7 oz
- Accessory Parts ..... Operating Guide x 1  
 Speaker Cords x 1

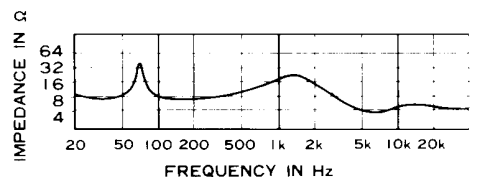
**NOTE:**

*Specifications and design subject to possible modification without notice, due to improvements.*

**FREQUENCY RESPONSE & HARMONIC DISTORTION**

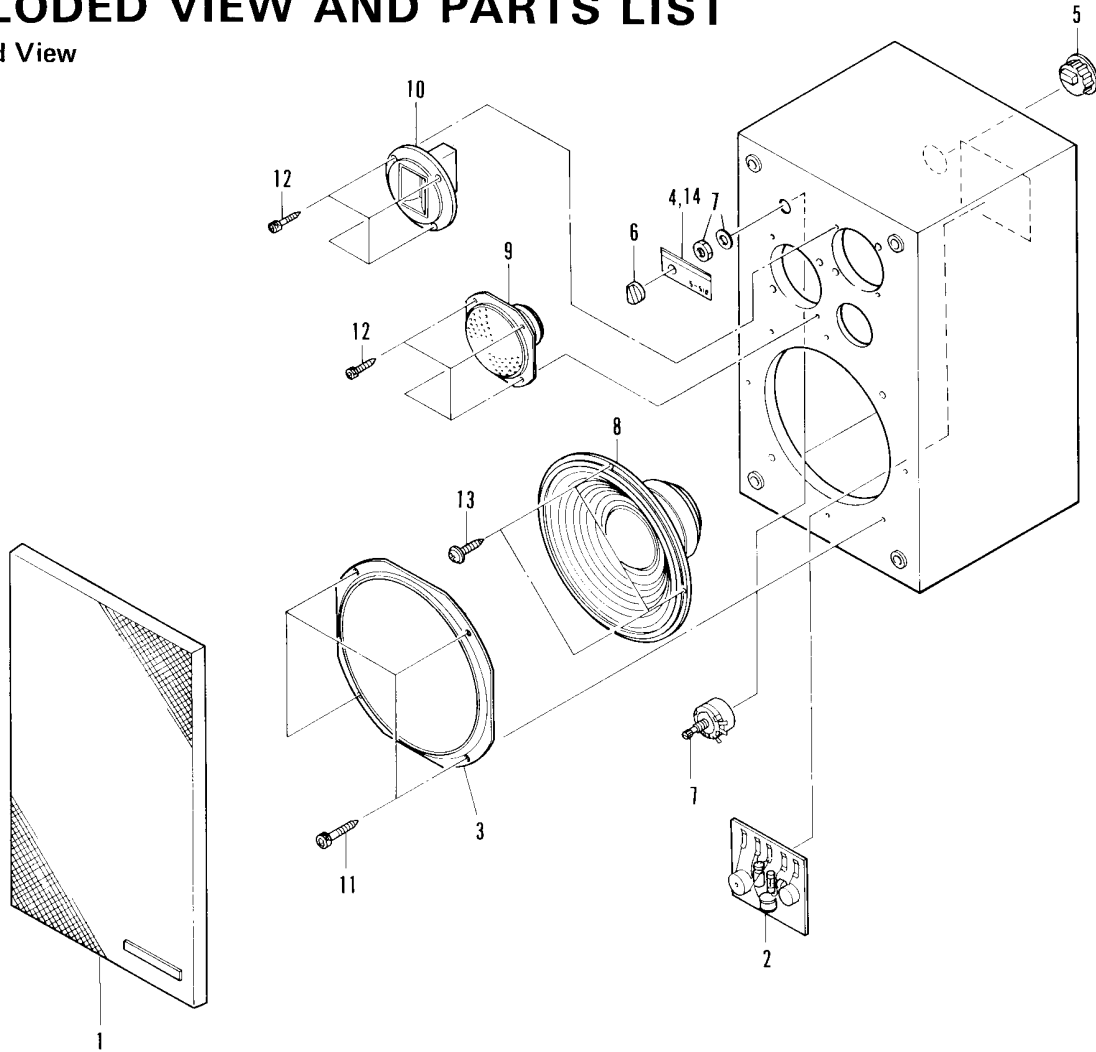


**IMPEDANCE**



# EXPLODED VIEW AND PARTS LIST

Exploded View



**NOTES:**

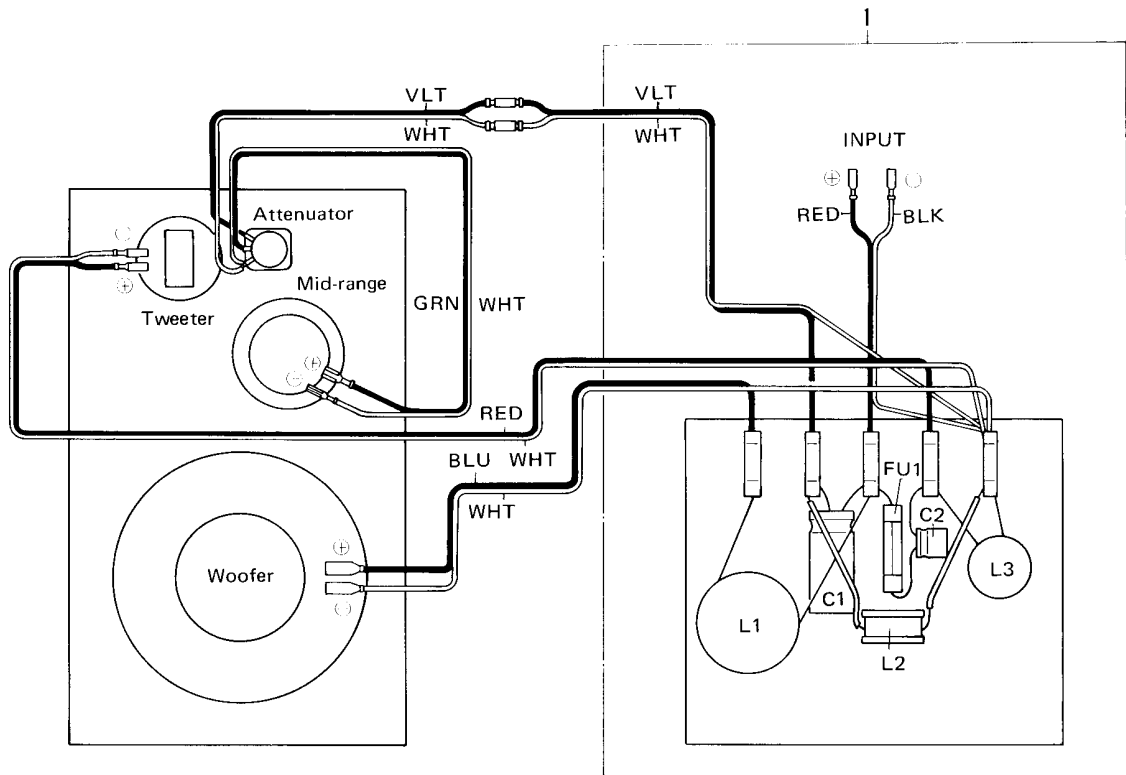
- Parts without part number cannot be supplied.
  - For your Parts Stock Control, the fast moving items are indicated with the marks \*\* and \*. \*\* GENERALLY MOVES FASTER THAN \*.
- This classification shall be adjusted by each distributor because it depends on model number, temperature, humidity, etc.*

**Parts List**

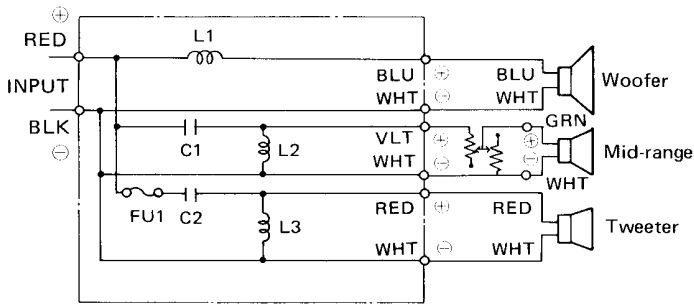
Mark	No.	Part No.	Description	Mark	No.	Part No.	Description
	1.	SMG-304	Grill assembly		7.	SCS-043	Attenuator
	2.	SWN-374	Network assembly	**	8.	25-764A	Woofer
		SWN-380	Network assembly (XC model only)	**	9.	45-721A	Mid-range
	3.	SNK-689	Flange	**	10.	PT-R13A	Tweeter
	4.	SAX-262	Level control name plate		11.	SBA-125	Screw
	5.	SKX-012	Input terminal plate			SBA-115	Screw (XC model)
		SKX-014	Input terminal plate (XC model only)		12.	SBA-133	Screw
						SBA-115	Screw (XC model only)
	6.	SAA-059	Knob		13.	SBA-142	Screw
						BYC40P250FMC	(XC model only)
					14.	SAX-271	Level control name plate
							(For right side system of models E, CA and XC)

# NETWORK AND PARTS LIST

## Wiring



## Circuit Diagram



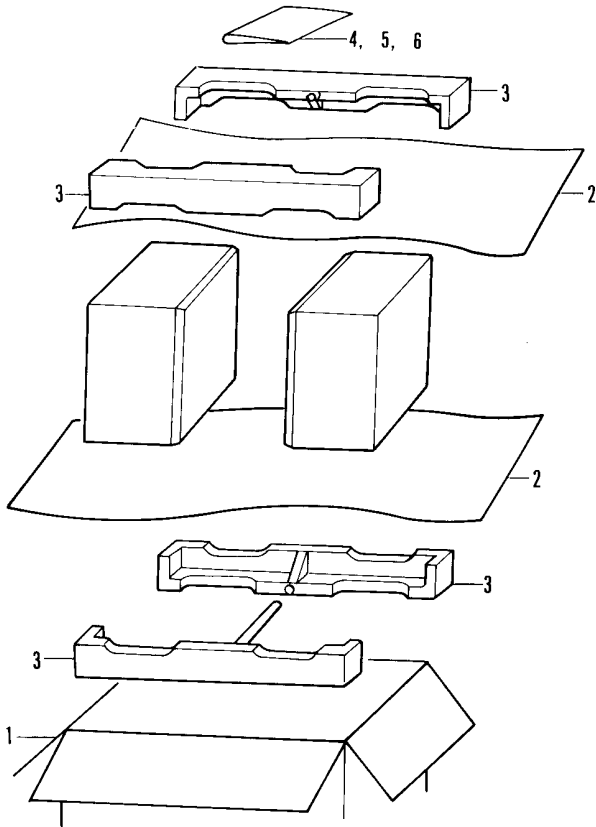
## Parts List

Mark	Part No.	Symbol & Description
	STH-320	L1 Choke coil (0.72mH)
	STH-236	L2 Choke coil (0.33mH)
	STH-276	L3 Choke coil (0.22mH)
	CES04DX5R6K63	C1 Capacitor (5.6 $\mu$ F, 63V)
	CES041R0K63	C2 Capacitor (1 $\mu$ F, 63V)
	SEK-007	FU1 Fuse (1A)
	SWN-374	1. Network assembly
	SWN-380	1. Network assembly (XC model only)

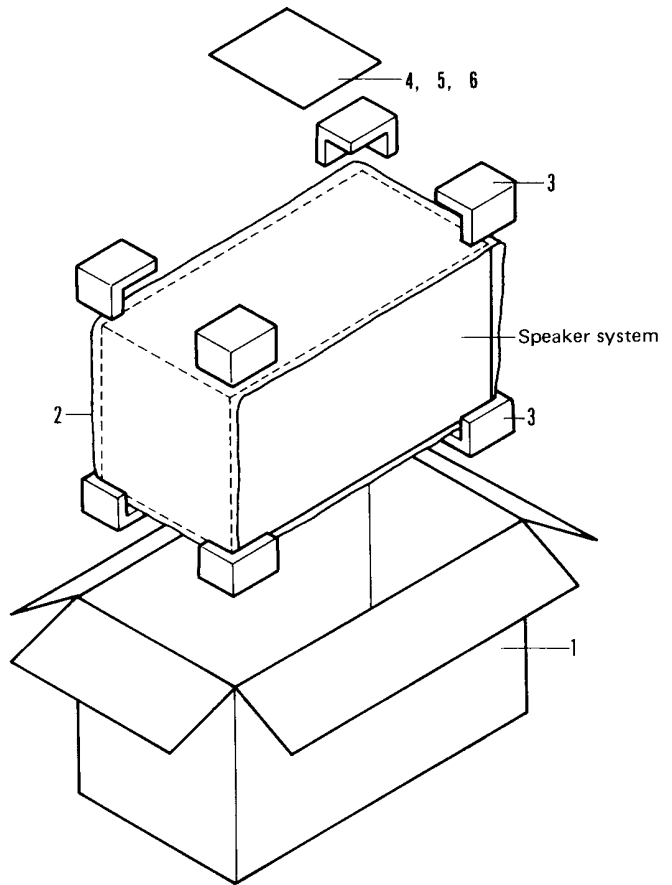
# PACKING VIEW AND PARTS LIST

## Packing View

[For E, CA and G models]



[For XC model]



## Parts List

[For E, CA and XC models]

Mark	No.	Part No.	Description
	1.	SHG-600	Packing case (E model)
		SHG-626	Packing case (CA model)
		SHG-612	Packing case (XC model)
	2.	SHC-611	Protection mat
		SHL-256	Cover (XC model)
	3.	SHA-402	Corner pad (E, CA models)
		SHA-102	Corner pad (XC model)
	4.	SHL-185	Vinyl bag
	5.	KDD-012	Speaker cord
	6.	SRD-050	Operating guide (E model)
		SRB-345	Operating guide (CA model)
		SRB-338	Operating guide (XC model)

[For G model]

Mark	No.	Part No.	Description
	1.	SHG-623	Packing case
	2.	SHL-256	Cover
	3.	SHA-102	Corner pad
	4.	SHL-185	Vinyl bag
	5.	KDD-012	Speaker cords
	6.	SRB-342	Operating guide